



FIREBOWL OWNERS MANUAL

MODELS: 45 - 54 - 68 L, LL, & NL MANUAL PILOT IGNITION



WARNING: FOR OUTDOOR USE ONLY - Installation and service must be performed by a qualified installer, service agency, or the gas supplier.



WARNING: If the information in this manual is not followed exactly, a fire or explosion may result causing property damage, personal injury, or loss of life.

DO NOT DISCARD THIS MANUAL

- Important operating and maintenance instructions included.
- Read, understand and follow these instructions for safe installation and operation.
- Leave this manual with party responsible for use and operation.

INSTALLER: LEAVE THIS MANUAL WITH THE APPLIANCE.

CONSUMER: RETAIN THIS MANUAL FOR FUTURE REFERENCE.



WARNING: DO NOT STORE OR USE GASOLINE OR OTHER FLAMMABLE VAPORS AND LIQUIDS IN THE VICINITY OF THIS OR ANY OTHER APPLIANCE.
A PROPANE GAS CYLINDER NOT CONNECTED FOR USE SHALL NOT BE STORED IN THE VICINITY OF THIS OR ANY OTHER APPLIANCE



WARNING: Improper installation, adjustment, alteration, service or maintenance can cause property damage, personal injury or loss of life. Refer to the owner's manual provided with this appliance.



DANGER - FIRE OR EXPLOSION HAZARD

- If you smell gas:
- Shut off gas to the appliance.
 - Extinguish any open flame.
 - If odor continues, leave the area immediately.
 - After leaving the area call your gas supplier or fire department.

Failure to follow these instructions could result in fire or explosion, which could cause property damage, personal injury, or death.



DANGER: CARBON MONOXIDE HAZARD

This appliance can produce carbon monoxide which has no odor.
Using it in a enclosed space can kill you.

Never use this appliance in an enclosed space such as a camper, tent, or home.



REVISED 11/09/21

FRENCH VERSION AVAILABLE UPON REQUEST



TEST CERTIFIED BY OMNI TEST LABORATORIES
ANSI Z21.97-2017/CSA 2.41-2017
CSA 2.17-2017



TABLE OF CONTENTS

4 Listing Information
5 Purchase Agreement
11 Warnings
13 Warranty Information
14 Overview
15 Size Chart
16 Components
17 Control Panel
18 Venturi/Orifice
19 Burner/Pilot
20 Pilot Guard/Pilot Sighting Tube
21 Mounting
23 Clearances
24 Gas Connection
25 Ignition
27 Rocks
28 Maintenance
30 Replacement Parts





OMNI-TEST LABORATORIES INC.

The Firebowls have been product certified by OMNI-Test Laboratories, Inc. (OMNI) is a full service hearth product testing laboratory with state-of-the-art emissions and safety measurement and analysis equipment. OMNI's product testing programs are accredited by national and international accreditation bodies including, the American National Standards Institute (ANSI), the Standards Council of Canada (SCC), the International Accreditation


Service, Inc. (IAS), and the U.S. Environmental Protection Agency (EPA). OMNI is also recognized by various other state, provincial, and city jurisdictions.

Mailing Address: P.O. Box 301367 Portland, OR 97294
 Phone: 503.643.3788 Fax: 503.643.3799
 Email: contact@omni-test.com

English

FOR OUTDOOR USE ONLY

Model: Firebowl
 ANSI Z21.97-2017/CSA 2.41-2017
OUTDOOR DECORATIVE GAS APPLIANCES
 Type of Gas: Natural Gas (NG), Liquid Propane (LP)
 Report # 0388GM001S



ORIFICE SIZES:
 45" Models:
 PROPANE GAS Maximum BTU = 150,000 w. #26 DMS orifice @ 11" W.C. Inlet - 10" W.C. Manifold
 NATURAL GAS Maximum BTU = 150,000 w. #6 DMS orifice @ 7" W.C. Inlet - 6" W.C. Manifold

54" & 68" Models:
 PROPANE GAS Maximum BTU = 300,000 w. #4 DMS orifice @ 11" W.C. Inlet - 10" W.C. Manifold
 NATURAL GAS Maximum BTU = 300,000 w. #K DMS orifice @ 7" W.C. Inlet - 6" W.C. Manifold


CSA 2.17-2017 Gas-Fired Appliances for Use at High Altitudes
 THIS APPLIANCE IS EQUIPPED FOR ALTITUDES OF:
 U.S. 0-2000FT. (0-610 M) – CANADA 0-4500FT. (0-1,372 M)

INSTALLATION & SERVICE BY CERTIFIED GAS TECHNICIAN ONLY
PROPANE GAS MAXIMUM SUPPLY PRESSURE: 2PSI
 Minimum gas pressure for propane gas - 10" W.C.
 Minimum gas pressure for natural gas - 5" W.C.
MINIMUM CLEARANCE TO COMBUSTIBLES: Top: 12ft (144") - Sides: 2ft (24")
INSTALLATION ON (OR OVER) NON-COMBUSTIBLE FLOORS ONLY.

WARNING: Improper installation, adjustment, alteration, service or maintenance can cause property damage, personal injury or loss of life. Refer to the owner's manual provided with this appliance. Installation and service must be performed by a qualified installer, service agency, or the gas supplier

WARNING: DO NOT STORE OR USE GASOLINE OR OTHER FLAMMABLE VAPORS & LIQUIDS IN THE VICINITY OF THIS OR ANY OTHER APPLIANCE.
 AN LP CYLINDER NOT CONNECTED FOR USE SHALL NOT BE STORED IN THE VICINITY OF THIS OR ANY OTHER APPLIANCE


DANGER: CARBON MONOXIDE HAZARD
 This appliance can produce carbon monoxide which has no odor. Using it in a enclosed space can kill you.
 Never use this appliance in an enclosed space such as a camper, tent, or home.



OVER

English

FIREFEATURES
 A Division of
COLOMBO CONSTRUCTION CORP
 252 W 30th St 6A NY, NY 10001
 FIREFEATURES.COM



FIREFEATURES

TO LIGHT APPLIANCE:

- OPERATE AT ARMS LENGTH • DO NOT LEAN OVER APPLIANCE • USE SAFETY GOGGLES & EXTENDED TORCH •

1. MAKE SURE GAS VALVE CONTROL KNOB ON APPLIANCE IS IN THE **OFF** POSITION
2. TURN 'PLAIN VIEW' EMERGENCY SHUT-OFF VALVE TO **ON** OR **OPEN** POSITION
3. LOCATE PILOT LIGHT ON BURNER & PILOT SIGHTING TUBE INSIDE APPLIANCE
4. TURN GAS VALVE CONTROL KNOB ON APPLIANCE TO **LOW** POSITION
5. PUSH RED BUTTON FOR PILOT & HOLD
6. IMMEDIATELY PUT TORCH INSIDE PILOT SIGHTING TUBE & IGNITE PILOT. CONTINUE TO HOLD RED PILOT BUTTON DOWN FOR 30 SECONDS UNTIL PILOT STAYS LIT
7. RELEASE BUTTON & REMOVE TORCH FROM SIGHTING TUBE. MAKE SURE PILOT STAYS LIT
8. TURN GAS VALVE CONTROL KNOB ON APPLIANCE SLOWLY TO **HIGH** POSITION
9. ADJUST FLAME HEIGHT TO PREFERENCE

IF BURNER DOES NOT LIGHT OR YOU SMELL OR HEAR GAS, IMMEDIATELY TURN GAS VALVE CONTROL KNOB ON APPLIANCE TO OFF POSITION.

TO PUT OUT APPLIANCE:

1. TURN 'PLAIN VIEW' SHUT-OFF VALVE TO **OFF** OR **CLOSED** POSITION.
2. WAIT FOR GAS TO BURN OUT OF LINE.
3. TURN GAS VALVE CONTROL KNOB ON APPLIANCE TO **OFF** POSITION.

ALWAYS SHUT DOWN IN THIS MANNER: GAS LINE FIRST, APPLIANCE SECOND. TO RE-LIGHT BURNER, WAIT 5 MINUTES AFTER A COMPLETE SHUT-OFF.

CAUTION: THE GAS PRESSURE REGULATOR PROVIDED WITH THIS APPLIANCE MUST BE USED. THIS REGULATOR IS SET FOR AN OUTLET PRESSURE OF 11" WATER COLUMN FOR LP & 6" WATER COLUMN FOR NG.

WHAT TO DO IF YOU SMELL GAS OR SUSPECT A LEAK:

- Do not try to light any appliance.
- Do not touch any electrical switch; do not use any phone in your building.
- Immediately call your gas supplier from a neighbor's phone.
- Follow the gas supplier's instructions.
- If you cannot reach your gas supplier, call the fire department.

OVER



FIREFEATURES

DECORATIVE GAS APPLIANCE PURCHASE AGREEMENT

Purchase agreement dated _____, 2021 between Colombo Construction Corp (the “Company”) with a principal office located at 252 W 30TH ST SUITE 6A NEW YORK, NY 10001 and _____ (the “Buyer”), located at _____ for (job/project title): _____.

1. Purchase: (a) Buyer agrees to purchase the Decorative Gas Appliance (the “Appliance”) described in the Quote and Specifications (the “Quotation and Specifications”) annexed hereto as Schedule A. Unless Buyer accepts the prices quoted by the Company within 30 days by delivery to the Company of a signed original of this Agreement accompanied by either payment in full or 50% of the purchase price, the prices quoted will expire. The purchase of the Appliance shall be subject to the terms and conditions set forth in this Purchase Agreement and the Quotation and Specifications, which shall be deemed, incorporated in this Purchase Agreement.

(b) The Appliance is being purchased FOB Ex Works. Title and beneficial ownership shall pass to Buyer when the Appliance is shipped. Freight, insurance, and all other shipping expenses shall be added to the price of the Appliance charged to Buyer unless otherwise specified in the Quotation and Specifications. Buyer acknowledges and agrees that any modifications of any nature of the Appliance or any components not specified in the Quotation and Specifications shall be made at the Company’s option and, if made, at an additional charge as provided in paragraph 2 of this Agreement.

(c) Buyer warrants, represents and agrees that it has carefully reviewed the specifications and features of the Appliance and the components thereof and that the Appliance and its components are suitable for their intended purpose, location, installation and operation. Buyer agrees to indemnify and hold the Company harmless from and against any claim, loss, damage or expense (including reasonable attorneys fees) resulting or arising from a breach of Buyer’s warranty.

2. Prices: The prices specified are not subject to change unless otherwise agreed to in writing. The Company shall not be obligated to make any modification of the Appliances or provide installation, site preparation, maintenance, training or any additional services unless agreed to in writing by the Company and Buyer. Any additional services or modifications including, without limitation, installation or modifications to facilitate installation shall be subject to additional charges at the Company’s rates then in effect unless otherwise agreed in writing. Prices include ordinary packing only unless otherwise specified.

3. Terms of Payment: Unless otherwise specified, terms of payment shall be fifty (50%) due upon execution of this Purchase Agreement and the remaining balance shall be due upon notice being sent by the Company to Buyer at the above address that the Appliance is ready for shipment.

4. Delivery: Delivery of the Appliance will be to Buyer’s address set forth above or such other address as may be set forth in the Quotation and Specifications. Title and risk of loss shall pass to Buyer upon delivery to Buyer. The Company shall have the right to choose the means of transportation and to route shipments when specific instructions are not included in the Quotation and Specifications. The Appliance purchased shall be adequately packaged by the Company to prevent damage during shipment. The Company shall have no liability whatsoever, nor shall this Agreement be subject to cancellation for delay in delivery due to act of God or civil or military authority, acts of terrorism, fire, labor disturbance, war, insurrection or riot, failure of or delay in transportation, unusually severe weather, or due to any other cause beyond the Company’s control. In the event of delay for any such cause, the specified delivery date shall be extended for a reasonable length of time.

5. Additional Charges: No allowance shall be made to Buyer for any transportation, labor charges or parts, adjustments or repairs, or any other work, without the Company’s prior written authorization. Payment for modifications requested by Buyer shall be due upon written acceptance by the Company of such modifications. Payment for additional services requested by the Buyer shall be due upon receipt by Buyer of the Company’s notice that the Appliance is ready for shipment unless otherwise specified in the Company’s written acceptance of such request for services.



6. Taxes: Unless otherwise specified, prices do not include federal, state or local sales, use, excise, manufacturing, processing or importation tax, or and any other tax or charge, that is or may be imposed on the articles or services purchased by Buyer. Any such taxes or charges will be added to the invoices as separate items, unless appropriate exemption certificates are furnished to the Company.

7. Warranties: (a) The Company warrants and represents that the Appliance purchased shall conform to the specifications provided herein and be free from defects in materials and workmanship under normal use for a period of 90 days from the date of delivery. The Company will repair or replace, at its option, any defective products. This Warranty is Buyer's exclusive remedy for defective products and is solely for the benefit of the original purchaser. The Company shall also pass through to Buyer all warranties provided by its manufacturers and subcontractors.

(b) The defective product must be shipped back with an RMA (Return Merchandise Authorization) issued by The Company for that specific product which states the nature of the defect or warranty claim. The product to be returned should be packed carefully. The Company is not responsible for damage on returned items. The original purchase information will be required. RMA's are only valid for 30 days from the date of issue by The Company and will not be processed if received after the expiration date. The RMA number must be indicated on the outside of the return package and a copy of the RMA in the package with product.

Installation and servicing is to be performed by qualified professionals. The Company is not responsible for local codes and / or if any of our products are not approved for installation. Buyer should confirm with it's local building department or governing agencies for proper approvals before purchasing it's products. The Company is not responsible for the actions including negligence of the installer.

This warranty does not cover damage caused by over heating, flooding, improper use, operation, installation, maintenance, accident, solvents, modifications, problems caused by other equipment or any other external causes.

THE COMPANY WILL NOT BE LIABLE FOR ANY DAMAGE, LOSS OR INJURY OF ANY NATURE INCLUDING LOST PROFITS OR CONSEQUENTIAL DAMAGES EVEN IF SUCH DAMAGES ARE FORESEEABLE. EXCEPT AS EXPRESSLY PROVIDED IN THIS WARRANTY, THE COMPANY MAKES NO OTHER WARRANTIES, EXPRESS OR IMPLIED, INCLUDING ANY WARRANTIES OF MERCHANTABILITY AND FITNESS FOR A PARTICULAR PURPOSE. UNDER NO CIRCUMSTANCES SHALL THE COMPANY BE LIABLE FOR ANY LOSS OR DAMAGE IN EXCESS OF THE AMOUNT PAID BY BUYER FOR THE PRODUCT.

This warranty gives Buyer specific rights. Buyer may also have additional rights under the laws of the State in which it resides.

8. Buyer's use of the Appliance. (a) Buyer acknowledges the Appliance was manufactured and assembled in accordance with the American National Standard Institute (ANSI) Z21.97-2017 and CSA Standard 2.41-2017 for Outdoor Fireplaces. It uses natural gas, and in the absence of local codes and ordinances is governed by the standard for storage and handling of liquefied petroleum gas, ANSI/NFPA 58 and the Natural Gas Installation code CAN/CGA B149.2 This standard instructs on the safe storage and handling of compressed gases.

When an appliance is for connection to a fixed piping system, the installation must conform with local codes, or in the absence of local codes, with the National Fuel Gas Code, ANSI z223.1/NFPA 54, International Fuel Gas Code, Natural Gas and Propane Installation Code, CSA B149.1, or Propane Storage and Handling Code, CSA C22.1, if applicable.

Model: Firebowl only
ANSI Z21.97-2017/CSA 2.41-2017
Type of Gas: Natural Gas (NG), Liquid Propane (LP)
Report # 0388GM001S

ORIFICE SIZES:

45" Models:

PROPANE GAS Maximum BTU = 150,000 w. #26 DMS orifice @ 11" W.C. Inlet - 10" W.C. Manifold

NATURAL GAS Maximum BTU = 150,000 w. #6 DMS orifice @ 7" W.C. Inlet - 6" W.C. Manifold

54" & 68" Models:

PROPANE GAS Maximum BTU = 300,000 w. #4 DMS orifice @ 11" W.C. Inlet - 10" W.C. Manifold

NATURAL GAS BTU = 300,000 w. #K DMS orifice @ 7" W.C. Inlet - 6" W.C. Manifold



INSTALLATION & SERVICE BY CERTIFIED GAS TECHNICIAN ONLY
PROPANE GAS MAXIMUM SUPPLY PRESSURE: 2PSI
MINIMUM CLEARANCE TO COMBUSTIBLES: Top: 12ft (144") - Sides: 2ft (24")
INSTALLATION ON (OR OVER) NON-COMBUSTIBLE FLOORS ONLY - **UNLESS A HEAT SHIELD IS INCLUDED.**

(b) Buyer acknowledges and agrees that at the time of delivery the Appliance will be owned by Buyer; that the Company is not responsible for the installation of the Appliance or for training of Buyer's personnel in the use, care, maintenance, operation and service of the Appliance, applications of the Appliance, decisions as to the location and environment selected for the use or storage of the Appliance, and decisions altering which persons are exposed or have access to the Appliance including, without limitation, their respective age, physical condition, mental capacity and degree of skills.

(c) The company may in its sole discretion provide on-site installation services of the decorative portion only of the Appliance. Any arrangements for such on-site, custom installation of the decorative portion of the Appliance must be made between the Buyer and the Company in writing at the time of the quotation. In addition to the requirements of paragraph 14 of this Purchase Agreement, Buyer shall, prior to the commencement of installation, obtain at its expense such liability insurance, and other insurance as the Company or Buyer may determine is reasonably necessary to insure against injury to persons and property by reason of such on-site installations. The policy shall be in the name of the Company, and the Buyer and the construction company shall be designated a coinsured on such additional insurance policies. Such policies shall also provide that the parties shall be given 30 days prior notice of the their cancellation or termination.

(d) Buyer understands and acknowledges that Appliance has been designated for exterior use only, that it must be used solely for that purpose for which the appliance has been designated and that the installation and use of Appliance in locations for which it has not been designed to operate may cause equipment failures, deterioration and malfunctions of the Appliance as well as hazardous conditions to persons and property. Buyer acknowledges that they have been advised that they must familiarize themselves with the proper use, installation, operation and maintenance of the Appliance, and the precautions, which must be taken, and that the Appliance may be subject to local fire codes and ordinances, and that THE APPLIANCE IS NOT UL RATED.

(e) The Buyer acknowledges and agrees that it understands that the Appliance uses combustible gas and extreme caution must be used at all times; that the Appliance must be installed in a location in which proper precautions has been taken to prevent the possibility of fire and for which adequate ventilation has been provided. Buyer shall comply with all state and federal laws, orders and regulations applicable to the installation, operation, maintenance and use of the Appliance, including without limitation all applicable building codes, ordinance and regulations and local fire safety codes, ordinances and regulations. Buyer shall be responsible to familiarizing itself with and obtaining certification that the Appliance is in compliance with ANSI AGA and CSA Standards for Decorative Gas Appliances and, in the absence of local codes and ordinance, the ANSI/NFPA and Natural Gas Installation Codes.

9. Partial Shipments: The Company may make and invoice partial shipments of components of the Appliance or defer manufacture or delivery of the Appliance only if, when and to the extent agreed to in writing by Buyer.

10. Cancellation: Orders are not subject to cancellation, complete or partial, without the Company's consent. Any reduction in quantities ordered shall constitute a partial cancellation subject to this clause. In the event of cancellation, settlement will be made on the following basis. Buyer will pay to the Company following delivery, the full purchase price of all products completed at the time of cancellation. Buyer will pay to the Company a percentage of the purchase price of all other products not completed or delivered equivalent to the percentage of completion thereof as determined by the Company, but not less than fifty (50%) percent of the purchase price. Buyer will also pay the full-amortized costs of materials, dies, tools, patterns, and fixtures, made or contracted specifically for Buyer's order. Upon full payment to the Company, title to all components of any partially completed Appliance shall pass to Buyer. Invoices for all cancellation charges are payable on presentation.

11. Defaults: (a) If the Buyer fails to perform any agreement under this Purchase Agreement or any other Purchase Agreement between Buyer and the Company, or if Buyer shall be bankrupt or insolvent or shall make an assignment for the benefit of creditors or if there shall be instituted by or against Buyer any proceeding under any bankruptcy, reorganization, arrangement, readjustment of debt or insolvency law of any jurisdiction or for the appointment of a receiver or trustee in respect of any of Buyer's property, then, the Company may, at any time upon



written notice to Buyer, in addition to any other rights the Company may have, terminate all of its obligations under this Agreement.

(b) If Buyer defaults in its obligations and the Company retains counsel to enforce its rights under this Purchase Agreement, Buyer shall pay to Company its costs and expenses including its reasonable attorney's fees. Buyer agrees that any dispute arising in connection with this Agreement shall be subject to the jurisdiction of the Federal and State courts located in New York County, the State of New York. Buyer consents to the jurisdiction of such courts and waives any defense based on lack of jurisdiction or forum inconveniens.

12. **Ownership of Designs.** Buyer acknowledges and agrees that the Appliance is a sculpture and work of art designed by the Company and enhanced with the use of mechanical and electric components manufactured by third parties; and that the designs, concepts, artwork and enhancements of the Appliance provided by the Company are the unique and exclusive property of the Company. Nothing contained shall grant Buyer any license or right of any nature, whether express or implied, to copy, reproduce, photograph or otherwise create any reproduction or likeness of the Appliance using any method or medium (including digital or electronic formats).

13. **Indemnification:** Buyer acknowledges that the Appliance is capable of causing severe and significant damages, to individuals and property, if the safety procedures and instructions are not followed exactly as stated in the Quotation and Specifications, and the literature and materials provided with the Appliance or fails to comply with its obligations pursuant to this Purchase Agreement. Buyer hereby agrees to indemnify the Company, and its successors, predecessors and subsidiaries, assigns, heirs, officers, agents, servants, attorneys, employees, former employees, former officers, directors, former directors, insurers and re-insurers to defend and to hold it harmless, of and from all actions, causes of action, suits, controversies, claims, damages, and demands of every kind and nature both in law and in equity, mature or to mature in the future, for and by reason of any matter, thing or claims arising out of or in any way related to the use of the Appliance that results in personal injury, property damage, economic loss of any kind, pain and suffering, loss of services, or any other claims made by anyone, including the Buyer, and any other third party claiming injury or damage resulting from the Appliance, when such injuries or damages are the result of or caused by the improper installation, maintenance or operation of the Appliance or the failure by Buyer, or any other person or entity, to use the proper care and techniques.

14. **Insurance.** Buyer shall provide such liability insurance, and other insurance as the Company may determine is reasonably necessary to insure against injury to persons and property by reason of the installation, use, maintenance, or operation of the Appliance. Buyer shall obtain a Waiver of Subrogation of Claims against the Company from its insurer.

SCHEDULE A:

GENERAL SPECIFICATIONS:

Prior to installation, the Project Manager, as well as the mechanical, structural and fire safety engineers, must first approve the specifications of this low-pressure decorative gas appliance.

It must be installed on site, pressure and leak checked by a certified gas technician as per national and local, building, gas, fire, and safety codes and ordinances. (Gastite specialists preferred).

Individual low pressure appliance regulators (suggested: Maxitroll or Rego), and 'plain view' emergency gas shut-off valve, are to be supplied and installed by a certified gas technician as per national and local, building, gas, fire, and safety codes and ordinances.

BURNER & BTU SPECIFICATIONS:

The burner for this appliance is assembled and tested by:

Charles A. Hones Inc., P.O. Box 405 - 355 NY State Route 49, Cleveland NY 13042 (315) 623-2124

All gas connections have been assembled and tested by Charles A. Hones Inc., in accordance with the safety requirements of the compressed gas industry and the applicable ANSI, AGA and CSA standards.

The burner is a special, stainless steel, "Yellow Flame" burner, and is rated at a minimum of 150,000 and a maximum of 300,000 BTU's. The burner is supplied with the appropriate 1/4" brass orifice for use with either natural gas (NG) or propane gas (LP), a modified 90-100M stainless steel air mixer, and stainless steel pipe connections.



OPERATING PRESSURES

- Propane gas: Standard operating pressure: 11 inches water column, minimum operating pressure: 10 inches water column, maximum operating pressure: 12 inches water column.
- Natural gas: Standard operating pressure: 6 inches water column, minimum operating pressure: 5 inches water column, maximum operating pressure: 7 inches water column.

MANUAL PILOT IGNITION SYSTEM SPECIFICATIONS:

Includes: Mounted, instructional control panel with 3/4" gas ball valve with plastic handle for flame height adjustment, H15DA-3C Baso safety pilot set with red push button lighting, J990MDA-2 Honeywell pilot burner, K16BA-72 Thermocouple, 90M stainless steel Venturi Air Mixer, and stainless steel 1/4" union connection to main gas feed.

ELECTRONIC IGNITION SYSTEM SPECIFICATIONS:

Please note electronic ignition systems are not certified by OMNI Test Laboratories.

Includes: • Electronic LOW VOLTAGE Ignition System Includes: AWEIS All-Weather HOT SURFACE Pilot Ignitor w. thermocouple for flame detection; NEMA 4X Enclosure if requested; 24 volt AC transformer; Solenoid valves and controller module.

If requested, The Company will supply drawings of a site specific decorative design, burner dimensions and specifications, and list of ignition system components which must be approved by the property owner, project manager, construction supervisor, mechanical, structural and safety engineers prior to installation, and in accordance with national, local and safety codes and ordinances.

The exterior installation, use, and maintenance of electronic ignition systems must be made in accordance with the manufacturer's instructions, warranties, specifications and recommendations. Failure to do so may result in the failure of the ignition system to function properly, voiding the manufacturer's warranty and the creation of hazardous conditions.

If requested, The Company will supply drawings of a site specific decorative design, burner dimensions and specifications, and list of ignition system components which must be approved by the property owner, project manager, construction supervisor, mechanical, structural and safety engineers prior to installation, and in accordance with national, local and safety codes and ordinances.

The exterior or interior installation, use and maintenance of ignition systems must be made in accordance with the manufacturer's instructions, warranties, specifications and recommendations. Failure to do so may result in the failure of the ignition system to function properly, voiding the manufacturer's warranty and the creation of hazardous conditions.

FOR YOUR SAFETY YOU MUST READ THE FOLLOWING WARNINGS AND INSTRUCTIONS BEFORE PURCHASE OR OPERATION:

This appliance uses combustible gas and extreme caution must be used at all times. Failure to follow instructions, miss-use, carelessness, and inattention can create a dangerous or life threatening situation.

Except where noted, all parts used are unaltered and purchased through industrial compressed gas industry vendors and/or major chain plumbing, hardware and/or home improvement stores, not limited to but including: pilot systems, copper and steel piping, gas valves, gas fittings, ignitors, ignitor plungers, ignitor wires, electrical connectors, mounts, and lag bolts.

THE APPLIANCE IS NOT UL RATED OR AGA/CSA CERTIFIED.

THE PURCHASER ASSUMES ALL RISK IN THE OPERATION OF THIS APPLIANCE.

THE APPLIANCE IS FOR OUTDOOR DECORATIVE USE ONLY, AND IS NOT TO BE USED FOR COOKING OR HEATING.



WARNINGS: Only persons who have read the operating instructions for the appliance, and who can understand and follow them exactly, should operate or service this appliance • Use appliance only in a well ventilated area • Do not use appliance inside house, camper, tent, garage, vehicle or any other enclosed area which does not have proper ventilation • Never operate while sleeping or leave unattended • Do not operate or place appliance on, near, or in the vicinity of any flammable materials, vapors, liquids or accelerants of any kind; including but not limited to: bottled gases, gasoline, kerosene, diesel fuel, oil, aerosol cans, paints, thinners, solvents, sealants, lubricants, chemicals, plastics, petroleum products, electronics, motors, vehicles, fertilizer, gun powder, ammunition, firearms, fireworks, fabrics, paper products, wood, dry vegetation etc. • Do not operate appliance during an electrical storm • Check appliance for corrosion, debris or damage before each use • Do not use a damaged appliance • Do not alter this appliance in any way • Appliance and propane cylinder must be permanently secured to a stable and level surface • Fuel line must be hard piped to appliance in accordance with local codes and ordinances by a certified gas technician • A minimum 100lb. propane cylinder only must be used with this appliance • Propane cylinder must be placed at least 10 ft. from appliance • Do not try to light the burner by hand • Before operating, smell all around the appliance for gas. Do not operate if you smell gas • Use only your hand to turn the gas valve control knob on the appliance. Never use tools. If the knob will not turn by hand, do not try to force or repair it yourself. Call a qualified service technician • Forced or attempted repair may result in a fire or explosion • Do not use this appliance if any part has been under water. Immediately call a qualified service technician to inspect the appliance and to replace any part of the control system and any gas control, which has been under water. • Severe burns may occur • Keep children and animals away from appliance • Do not touch appliance or gas controls when in operation • Do not lean on or into appliance • Do not play on or around appliance • Do not sit on or step into appliance • Do not put hands, feet or any body part on appliance, in or near flame • Do not throw foreign objects or any liquids into appliance • Do not operate this appliance under the influence of alcohol or drugs.

• LAVA ROCKS ARE FOR PURCHASE SEPARATELY & NOT INCLUDED WITH YOUR ORDER •

Please note: Most rocks contain water, and when heated will crack, split or burst. Please consult your local landscape supply for recommendations on which rocks are best for fires before purchasing your rocks.

Supervision is essential. The appliance does not come with a screen, cage, fence, or any device that will inhibit people or animals from falling in. Protection of the public using the appliance is the responsibility of the purchaser and must be taken extremely seriously.

The purchaser further agrees to take the necessary precautions to prevent children and other unqualified persons from being able to ignite or breath in closed quarters the propane or natural gas required to operate the appliance, as well as to post or secure the appliance from unknowing persons contacting the appliance while it is in operation, or hot, either during or after use. It is recommended that the purchaser post some form of communication to the public warning of the danger and hot temperature of the appliance and/or to obstruct access to and/or prevent contact with the product during the high temperatures of the product.

Signature: _____ Date: _____

Please print name: _____ Title: _____

Company: _____

Job/Project Title: _____



WARNING: IF YOU DO NOT FOLLOW THESE INSTRUCTIONS EXACTLY, A FIRE OR EXPLOSION MAY RESULT CAUSING PROPERTY DAMAGE, PERSONAL INJURY OR LOSS OF LIFE.

- IMPROPER INSTALLATION, ADJUSTMENT, ALTERATION, SERVICE OR MAINTENANCE CAN CAUSE INJURY OR PROPERTY DAMAGE.

- INSTALLATION & GAS CONNECTION IS TO BE HARD PIPE & MUST BE DONE BY A CERTIFIED GAS TECHNICIAN, QUALIFIED INSTALLER, SERVICE AGENCY OR GAS SUPPLIER. FOR ASSISTANCE OR ADDITIONAL INFORMATION CONSULT A QUALIFIED INSTALLER, SERVICE AGENCY, OR THE GAS SUPPLIER.

- THIS APPLIANCE IS A DECORATIVE GAS APPLIANCE FOR OUTDOOR USE ONLY AND MUST NOT BE USED FOR COOKING.

COLOMBO CONSTRUCTION CORP disclaims any responsibility for, and the warranty will be voided by the following actions:

- Installation & use of any damaged components.
- Modification of the burner and valve assemblies.
- Installation other than as instructed by this Owner's Manual.
- Installation and/or use of any component part not approved by Colombo Construction Corp.

ANY SUCH ACTION MAY CAUSE A FIRE HAZARD.
(See additional warranty info pg 6)

The installation of this appliance must conform with local codes or, in the absence of local codes, with the National Fuel Gas Code, ANSI Z223.1.

Solid fuels are not to be burned in this gas appliance.

The appliance should be inspected before each use for debris, damage, or corrosion, and at least annually by a qualified service person.

- INSPECT THE APPLIANCE & COMPONENTS.
- DO NOT INSTALL DAMAGED COMPONENTS.
- DO NOT INSTALL INCOMPLETE COMPONENTS.
- REPORT DAMAGED PARTS TO DEALER.

Do NOT use this appliance if any part has been under water. Immediately call a qualified service technician to inspect the appliance and to replace any part of the control system and any gas control which has been under water.

More frequent cleaning may be required as necessary. It is imperative that control compartment, burners and circulating air passageways of the appliance be kept clean to provide for adequate combustion and ventilation air.

This appliance is only for use with the type of gas indicated on the rating plate. This appliance is not convertible for use with other gases.

The appliance and its individual shut-off valve must be disconnected from the gas supply piping system during any pressure testing of that system at test pressures in excess of ½ psi.

The appliance must be isolated from the gas supply piping system by closing its individual manual shutoff valve during any pressure testing of the gas supply piping system at test pressures equal to or less than ½ psi.

A test gage connection shall be furnished downstream of the gas appliance pressure regulator for measuring gas pressure. The connection shall be a 1/8 inch NPT plug or cap with cleanly cut tapered pipe threads in accordance with the Standard for Pipe Threads, General Purpose (Inch), ANSI/ASME B1.20.1.

If the plug is of the slotted type it shall also incorporate square or hex flats; or when the pressure test gage connection is provided as part of the control this pressure test gage connection shall be:

(a) A tapping sealed by a 1/8 inch NPT plug or cap with cleanly cut tapered pipe threads in accordance with the Standard for Pipe Threads, General Purpose (Inch), ANSI/ASME B1.20.1.

If the plug is of the slotted type, it shall also incorporate square or hex flats; or

(b) A hose fitting with a minimum length of 0.355 in (9.02 mm) and a 0.355 in (9.02 mm) maximum/0.335 in (8.05 mm) minimum outside diameter and which incorporates a sealing means.

The construction of the hose fitting shall incorporate an internal restriction not greater than 0.0394 in (1.0 mm) in diameter.

Children and adults should be alerted to the hazards of high surface temperatures and should stay away to avoid burns or clothing ignition. Young children should be carefully supervised when they are in the area of the appliance.

Clothing or other flammable materials should not be hung from the appliance, or placed on or near the appliance.

Any guard or other protective device removed for servicing the appliance must be replaced prior to operating the appliance.

Use outside only in well ventilated area. Do not use inside house, camper, tent, garage, vehicle or any type of un-vented or enclosed area.



**FOR YOUR SAFETY
READ BEFORE OPERATING**

Do not operate or place appliance on, near, or in the vicinity of any flammable materials, vapors, liquids or accelerants of any kind; including but not limited to: bottled gases, gasoline, kerosene, diesel fuel, oil, aerosol cans, paints, thinners, solvents, sealants, lubricants, chemicals, plastics, petroleum products, electronics, motors, vehicles, fertilizer, gun powder, ammunition, firearms, fireworks, fabrics, paper products, wood, dry vegetation etc.

Do not operate appliance during an electrical storm.

Appliance must be permanently secured on a stable and level surface.

Never operate while sleeping or unattended.

Before operating, smell all around the appliance for gas.

Do not operate if you smell gas.

WHAT TO DO IF YOU SMELL GAS OR SUSPECT A LEAK:

IMMEDIATELY SHUT OFF GAS TO THE APPLIANCE AND VENTILATE AREA. DO NOT STRIKE A MATCH, SMOKE, OR CREATE ANY FLAME OR ELECTRIC SPARK. FIND AND CORRECT ANY LEAKS. USE A SOAP SOLUTION TO DETECT ESCAPING GAS. DO NOT TOUCH ANY ELECTRICAL SWITCH. DO NOT USE ANY PHONES IN THE AREA. IMMEDIATELY CALL YOUR GAS SUPPLIER. FOLLOW THE GAS SUPPLIER'S INSTRUCTIONS. IF YOU CANNOT REACH YOUR GAS SUPPLIER, CALL THE FIRE DEPARTMENT.

- Use only your hand to turn the gas valve control knob on the appliance. Never use tools. If the knob will not turn by hand, do not try to force or repair it yourself. Call a qualified service technician.
- Forced or attempted repair may result in a fire or explosion.
- Do not touch appliance or gas controls when in operation.
- Do not lean on or into appliance.
- Do not play on or around appliance.
- Do not sit on or step into appliance.
- Do not put hands, feet or any body part on appliance, in or near flame.
- Do not throw foreign objects or any liquids into appliance.
- Do not operate this appliance under the influence of alcohol or drugs.

The firebowl does not come supplied with rocks. 100- 200 lbs. of 6" to 10" lava rocks are recommended. Some rocks contain water and when heated will crack, split or burst. Please consult your local landscape supply for recommendations on which rocks are best for fires.

LEAK TESTING PROCEDURE

- Perform a leak test at least once each year whether the gas supply has been disconnected or not.
- Conduct a leak test anytime the gas supply is connected to the regulator or any part of the gas system is disconnected or replaced.
- As a safety precaution, remember to always leak test your Firebowl/Fire Feature outdoors in a well-ventilated area.
- Never smoke or permit sources of ignition in the area while doing a leak test.
- Do not use a flame, such as a lighted match to test for leaks. Use only a leak testing solution as specified below.

Leak Testing Procedure:

1. Prepare a leak testing solution of sudsy water by mixing in a spray bottle half-liquid soap and half water.
2. Check and make sure all the control knobs are in the OFF position.
3. Turn gas supply valve counter clockwise one turn to open.
4. Apply leak-testing solution by spraying on joints of the gas delivery system.
5. Blowing bubbles in the soap solution indicates that a leak is present.
6. Stop a leak by tightening the loose joint or by replacing the faulty part with a replacement part recommended by the manufacturer. Do not attempt to repair the gas supply valve if it should become damaged. The gas supply valve must be replaced.
7. If you are unable to stop a leak, close the valve at the gas supply. Call an authorized gas appliance service technician or Propane gas dealer. Do not use the appliance until the leak is corrected.
8. Push in and turn any control knob to release pressure in the hose and manifold.



9. Turn off the control knob.

Propane gas SPECIFICATIONS:

For an appliance designed for use with a self-contained propane -gas supply system, a minimum of 100lb tank is to be used.

Storage of an appliance indoors is permissible only if the appliance is disconnected from the gas supply.

If the pressure regulator is supplied with the appliance, it must be used. Replacement pressure regulators must be those specified by the manufacturer.

The gas supply system must be arranged for vapor withdrawal.

If you build an enclosure for a self-contained propane -gas supply system, follow these recommended specifications and local codes:

Enclosures must be ventilated by openings at the level of the gas supply valve and at floor level. Effectiveness must be determined with the gas supply tank in place.

One side of the enclosure must be completely open or, for an enclosure having four sides, a top and a bottom:

- At least two ventilation openings at gas supply valve level shall be provided in the side wall, equally sized, spaced at 180 degrees (3.14 rad), and unobstructed. Each opening must have a total free area of not less than 1/2 square inch per pound (3.2 sq. cm/kg) of stored fuel capacity and not less than a total free area of 10 square inches (64.5 sq. cm).

- Ventilation opening(s) must be provided at floor level and shall have a total free area of not less than 1/2 square inch per pound (3.2 sq. cm/kg) of stored fuel capacity and not less than a total free area of 10 square inches (64.5 sq. cm). If ventilation openings at floor level are in a side wall, there must be a least two openings. The bottom of the openings must be at floor level and the upper edge can't be more than 5 in. (127 mm) above the floor. The openings must be equally sized, spaced at 180 degrees (3.14 rad) and unobstructed.

- Every opening must have minimum dimensions to permit the entrance of a 1/8 inch (3.2 mm) diameter rod.

Gas supply valves must be readily accessible for hand operation. A door on the enclosure to gain access to the gas supply valves is acceptable, provided it is non-locking and can be opened without the use of tools.

The design of the enclosure must be such that:

- The Propane -gas supply can be connected, disconnected and the connections inspected and tested outside the gas supply tank enclosure.

- Those connections which could be disturbed when installing the gas supply tank in the enclosure can be leak tested inside the enclosure.

- Be certain to mount or set the Propane gas supply tank on a flat stable surface and retain it to prevent it from tipping.

- There must be a minimum clearance of 2 in. (50.8 mm) between the lower surface of the floor of the Propane gas supply tank enclosure and the ground.

WARRANTY INFO:

(A) COLOMBO CONSTRUCTION CORP WARRANTS & REPRESENTS THAT THE APPLIANCE PURCHASED SHALL CONFORM TO THE SPECIFICATIONS PROVIDED HEREIN & BE FREE FROM DEFECTS IN MATERIALS & WORKMANSHIP UNDER NORMAL USE FOR A PERIOD OF 90 DAYS FROM THE DATE OF DELIVERY.

COLOMBO CONSTRUCTION CORP WILL REPAIR OR REPLACE, AT ITS OPTION, ANY DEFECTIVE PRODUCTS. THIS WARRANTY IS BUYER'S EXCLUSIVE REMEDY FOR DEFECTIVE PRODUCTS & IS SOLELY FOR THE BENEFIT OF THE ORIGINAL PURCHASER.

COLOMBO CONSTRUCTION CORP SHALL ALSO PASS THROUGH TO BUYER ALL WARRANTIES PROVIDED BY ITS MANUFACTURER & SUBCONTRACTORS.

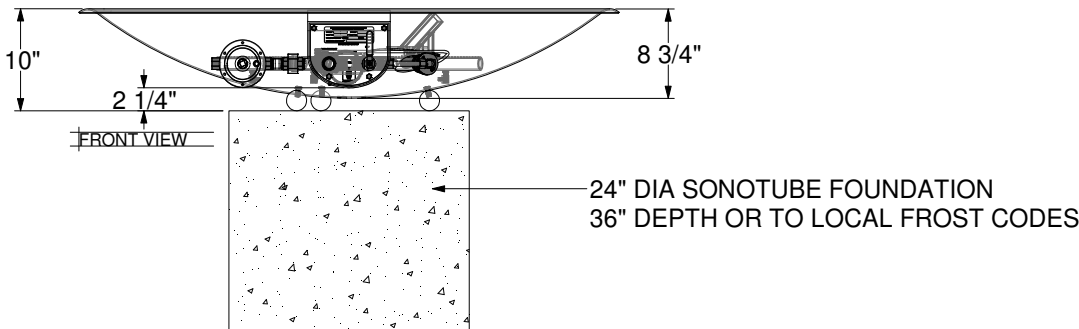
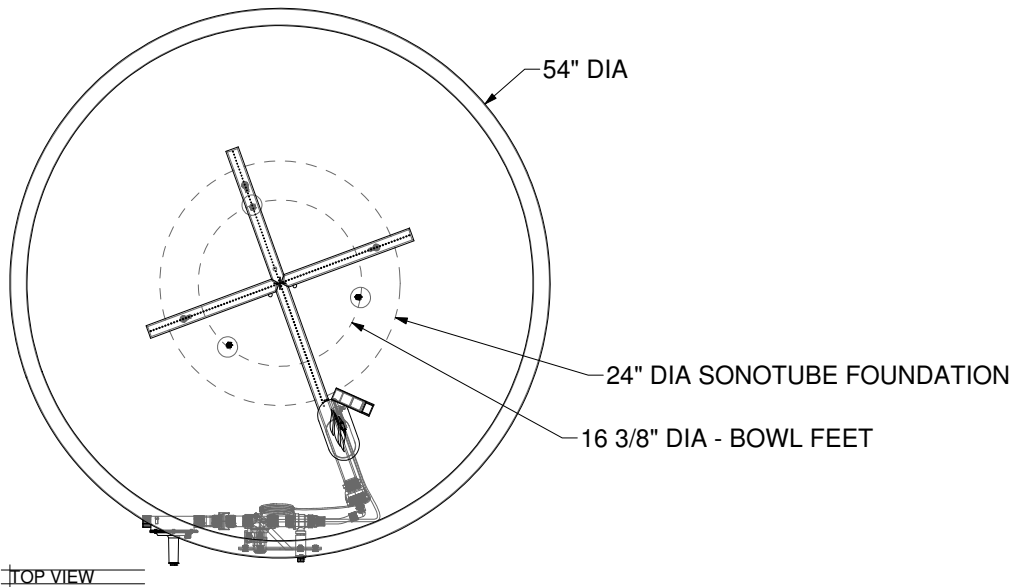
(B) THIS WARRANTY DOES NOT COVER DAMAGE CAUSED BY IMPROPER USE, OPERATION, INSTALLATION, MAINTENANCE, ACCIDENT, SOLVENTS, MODIFICATIONS, PROBLEMS CAUSED BY EQUIPMENT OF ANY OTHER EXTERNAL CAUSES.

COLOMBO CONSTRUCTION CORP WILL NOT BE LIABLE FOR ANY DAMAGE, LOSS OR INJURY OF ANY NATURE INCLUDING LOST PROFITS OR CONSEQUENTIAL DAMAGES. EXCEPT AS EXPRESSLY PROVIDED IN THIS WARRANTY, THE COMPANY MAKES NO OTHER WARRANTIES, EXPRESS OR IMPLIED, INCLUDING ANY WARRANTIES OF MERCHANTABILITY AND FITNESS FOR A PARTICULAR PURPOSE. UNDER NO CIRCUMSTANCES SHALL THE COMPANY BE LIABLE FOR ANY LOSS OR DAMAGE IN EXCESS OF THE AMOUNT PAID BY BUYER FOR THE PRODUCT.

This warranty gives Buyer specific rights. Buyer may also have additional rights under the laws of the State in which it resides.



54LL Firebowl



GENERAL SPECIFICATIONS

The firebowl must be installed on site, pressure and leak checked by a certified gas technician as per national and local, building, gas, fire, and safety codes and ordinances.

This appliance comes supplied with a Maxitroll 325-5AL Individual low pressure appliance regulator. An additional 'plain view' emergency gas shut-off valve is to be supplied and installed by a certified gas technician as per national and local, building, gas, fire, and safety codes and ordinances.

BURNER & BTU SPECIFICATIONS

The burner for this appliance is assembled and tested by:

Charles A. Hones Inc., 355 Rt 49 Cleveland, New York 13042 • 315-623-2204

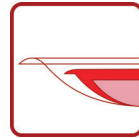
The burner is a special, stainless steel, "Yellow Flame" burner, and is rated at a minimum of 150,000 and a maximum of 300,000 BTU's. The burner is supplied with the appropriate brass orifice for use with either natural gas (NG) or propane gas(LP).

OPERATING PRESSURES

- Propane: Standard operating pressure: 11 inches water column, minimum operating pressure: 10 inches water column, maximum operating pressure: 12 inches water column.
- Natural gas: Standard operating pressure: 6 inches water column, minimum operating pressure: 5 inches water column, maximum operating pressure: 7 inches water column.

HIGH-ALTITUDE OPERATION

No adjustments are required for high-altitude installation.



LIP OPTIONS

45" DIAMETER

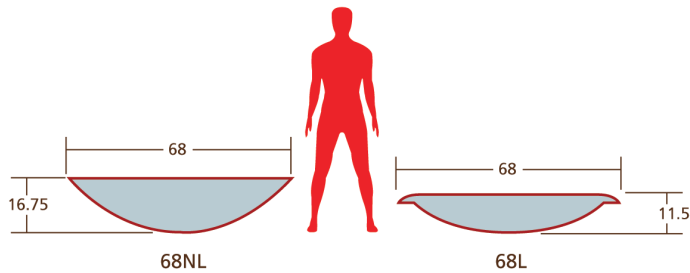
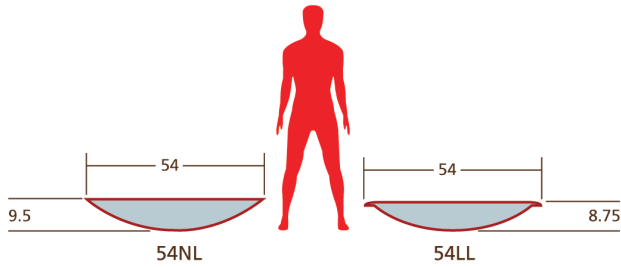
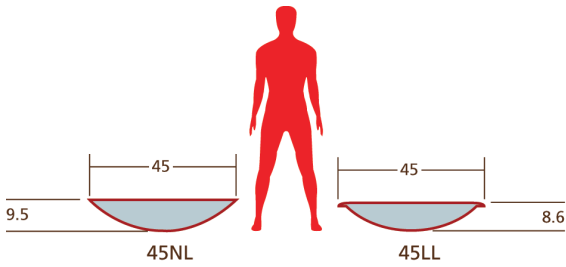
LL = LITTLE LIP
NL = NO LIP

54" DIAMETER

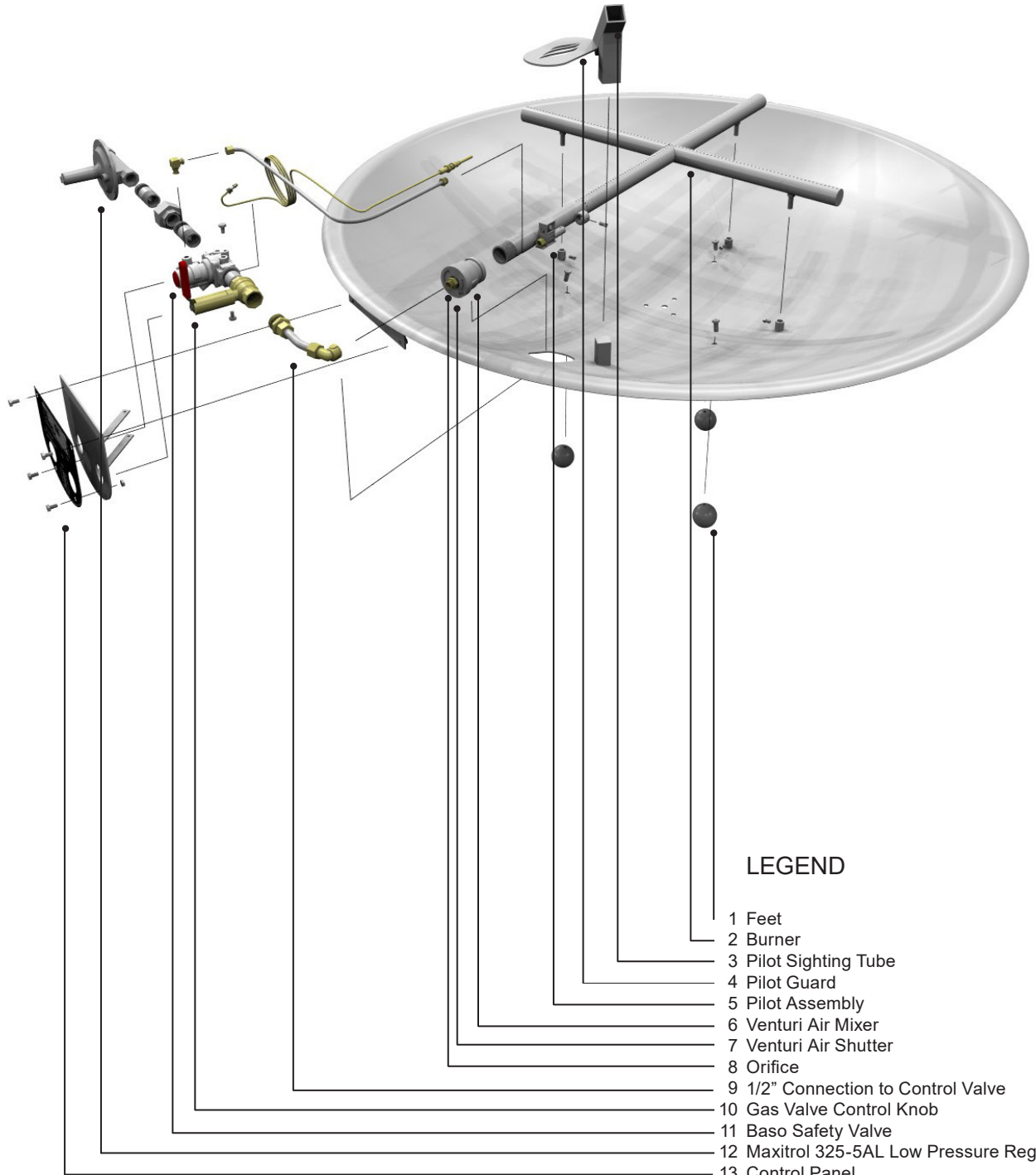
LL = LITTLE LIP
NL = NO LIP

68" DIAMETER

L = LIP
NL = NO LIP



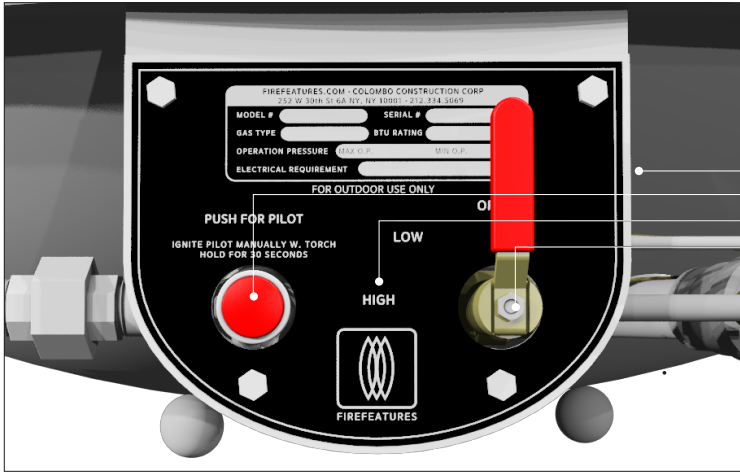
EXPLODED VIEW
MODEL SHOWN: 54LL



LEGEND

- 1 Feet
- 2 Burner
- 3 Pilot Sighting Tube
- 4 Pilot Guard
- 5 Pilot Assembly
- 6 Venturi Air Mixer
- 7 Venturi Air Shutter
- 8 Orifice
- 9 1/2" Connection to Control Valve
- 10 Gas Valve Control Knob
- 11 Baso Safety Valve
- 12 Maxitrol 325-5AL Low Pressure Regulator
- 13 Control Panel

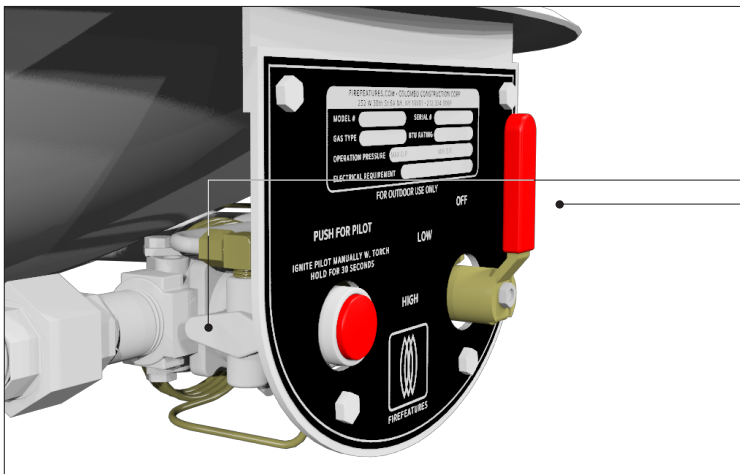
CONTROL PANEL



FRONT PLATE

LEGEND

- 1 Control Panel Back Plate
- 2 Pilot Lighting Button
- 3 Control Panel
- 4 Gas Valve Control Knob



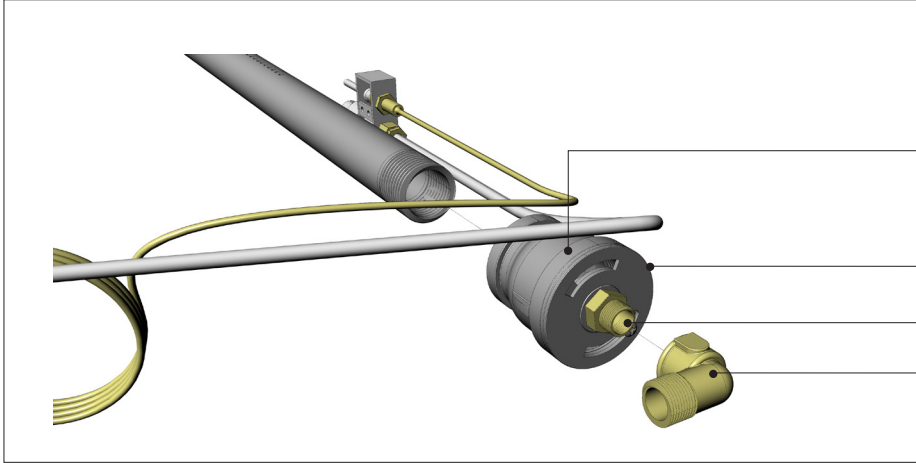
BEHIND THE FRONT PLATE

LEGEND

- 1 H15DA-3C Basco Safety Valve
- 2 3/4" Ball Valve (Flame adjustment)
- 3 K16BA-48 #22 Basco Thermocouple
- 4 1/4" Pilot Gas Feed
- 5 1/2" Connection to Control Valve
- 6 Orifice
- 7 Venturi Air Mixer



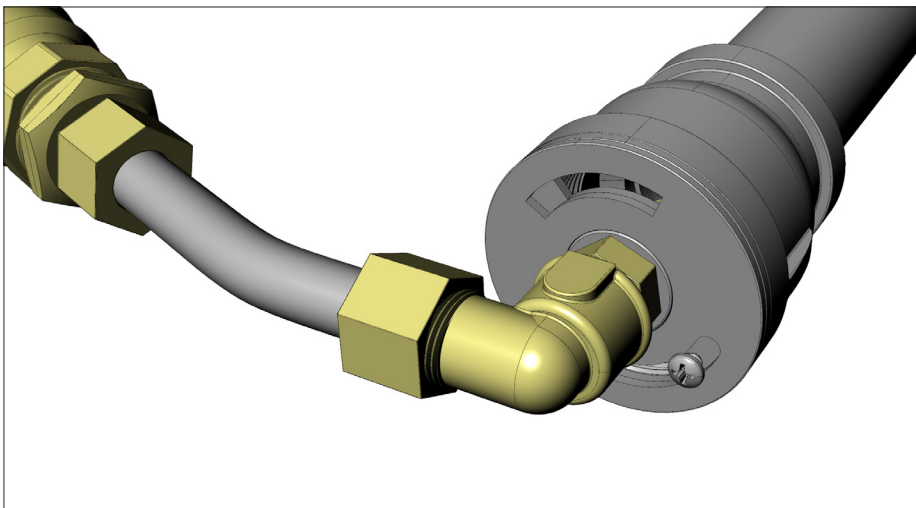
VENTURI/ ORIFICE



VENTURI/ORIFICE ASSEMBLY

LEGEND

- 1 90M Stainless Steel Venturi Air Mixer
- 2 Venturi Air Shutter
- 3 1/4" Brass Orifice
- 4 1/4" NPT Brass Compression Tube Fitting Elbow Adapter

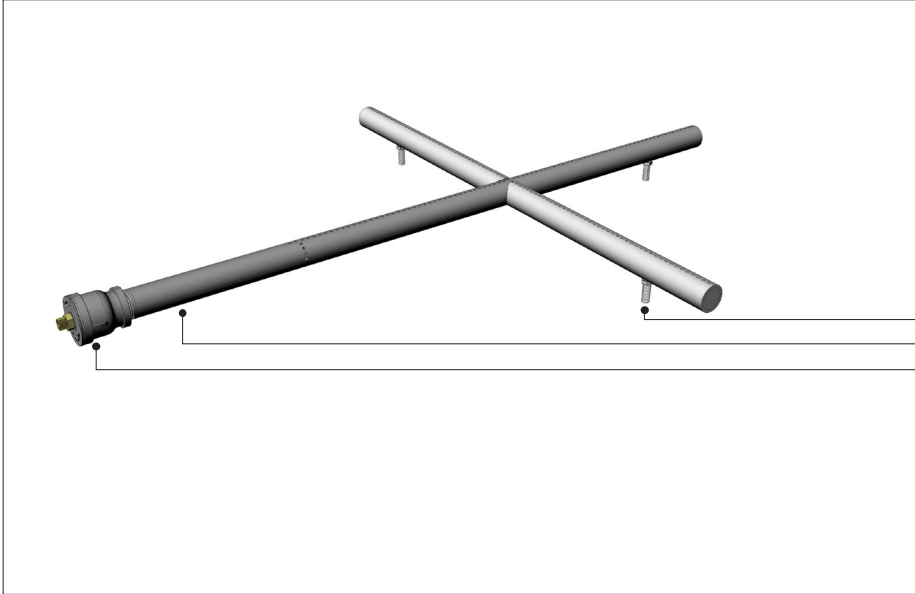


OXYGEN INTAKE ADJUSTMENT

The Venturi is factory set with a set screw. Before operation, check to see that the Venturi is set in the position to the left.

The positioning keeps the flame looking yellow and natural. The more oxygen you let in, the smaller and bluer the flame. If the oxygen is shut off completely, the flame will contain more soot and unburned contaminants.

BURNER AND PILOT

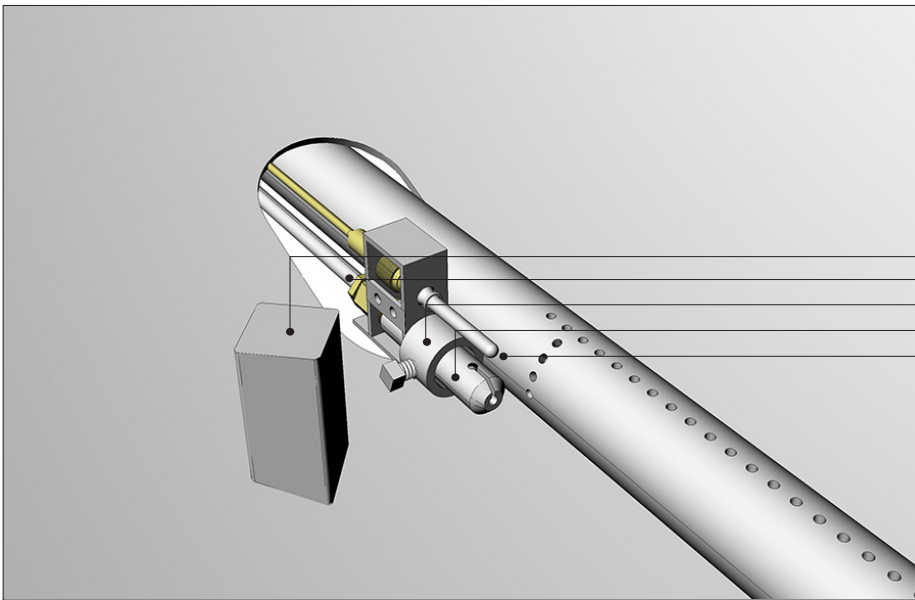


BURNER

Special 150,000 to 300,000 BTU cross style "Yellow Flame" burner tested prior to shipping

LEGEND

- 1 Burner Mounting Leg
- 2 1" Schedule 40 Stainless Steel Cross Burner
- 3 90M Stainless Steel Venturi Air Mixer



PILOT

The Pilot Assembly is located under the Pilot Guard.

LEGEND

- 1 Pilot Sighting Tube Mounting Post
- 2 1/4" Gas Feed
- 3 Pilot Mounting Ring
- 4 J990MDA-2 Baso Pilot Assembly
- 5 K16BA-48 #22 Baso Thermocouple

PILOT GUARD/ PILOT SIGHTING TUBE

PILOT GUARD

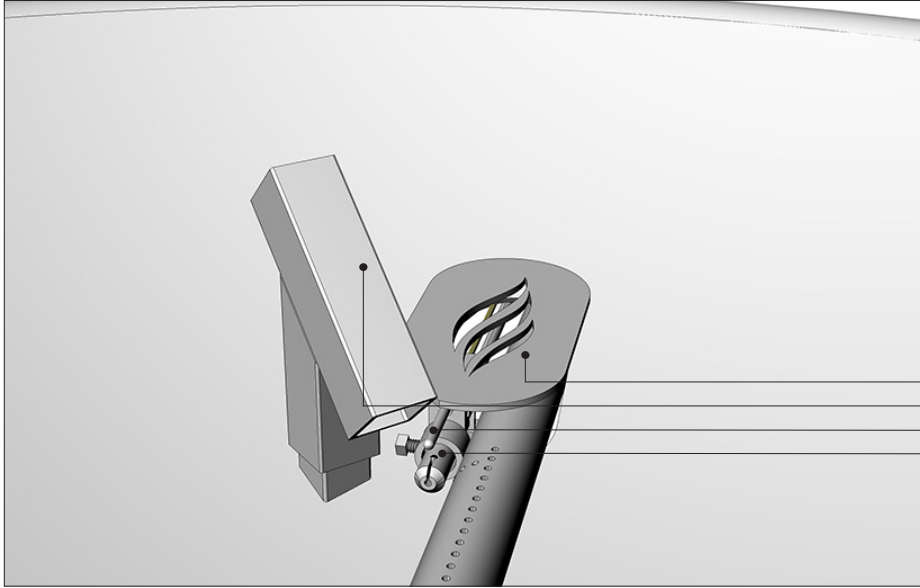
The Pilot Assembly is located under the Pilot Guard which keeps the lava rocks from damaging the pilot assembly.

PILOT SIGHTING TUBE

The Pilot Sighting Tube allows you to guide the torch to the proper location to light the pilot when the firebowl is filled with rocks.

LEGEND

- 1 Pilot Guard
- 2 Pilot Sighting Tube
- 3 K16BA-48 #22 Baso Thermocouple
- 4 J990MDA-2 Baso Pilot Assembly



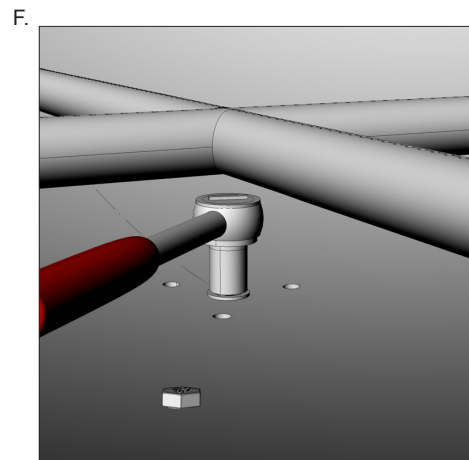
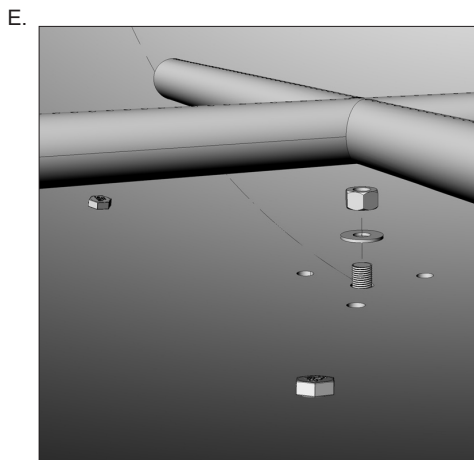
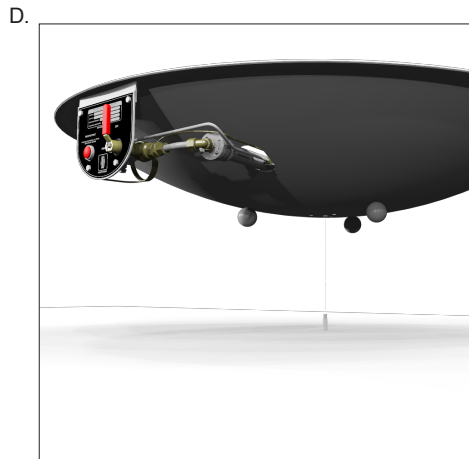
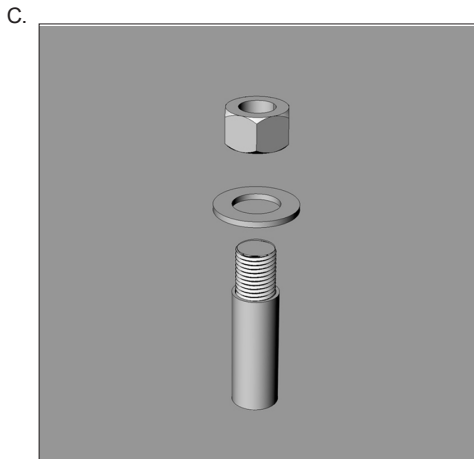
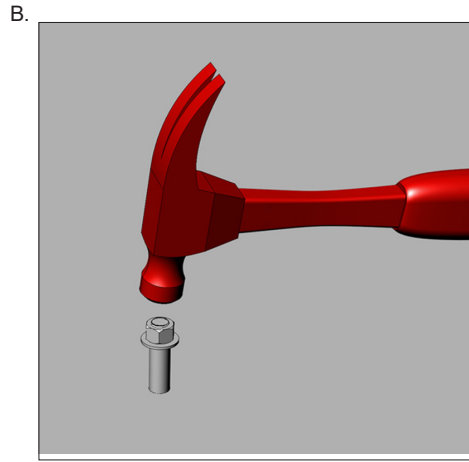
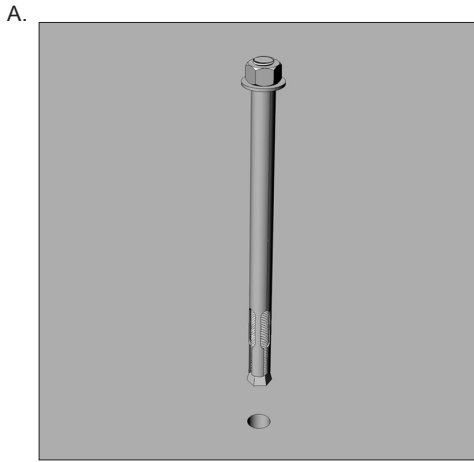
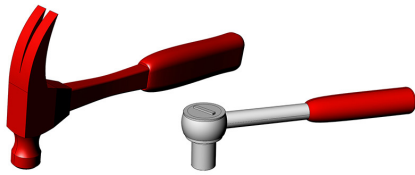
VIEW WITH ROCKS

LEGEND

- 1 Pilot Sighting Tube



MANUAL PILOT FIREBOWL MOUNTING



ATTACHING THE BOWL

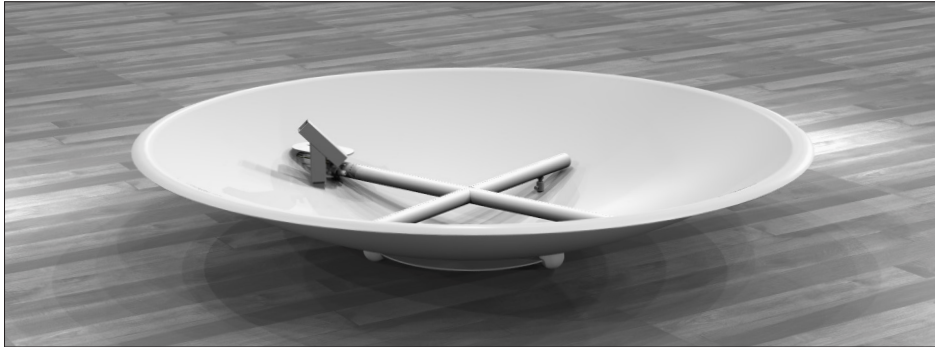
You'll need to have a hammer, a socket wrench and a 8" x1/2" Expansion-Anchor-Bolt

- A. Drill 1/2" hole 5 1/2" deep in a stable mounting platform: recommended a 20" diameter sonotube concrete footing.
- B. Hammer Expansion-Anchor-Bolt into the hole. The bolt should stick out 2 1/2".
- C. Remove washer and screw-nut from the bolt.
- D. Put Firebowl on the bolt.
- E. Put washer and screw-nut back on the bolt.
- F. Fasten screwnut with a ratchet until it fits tight.

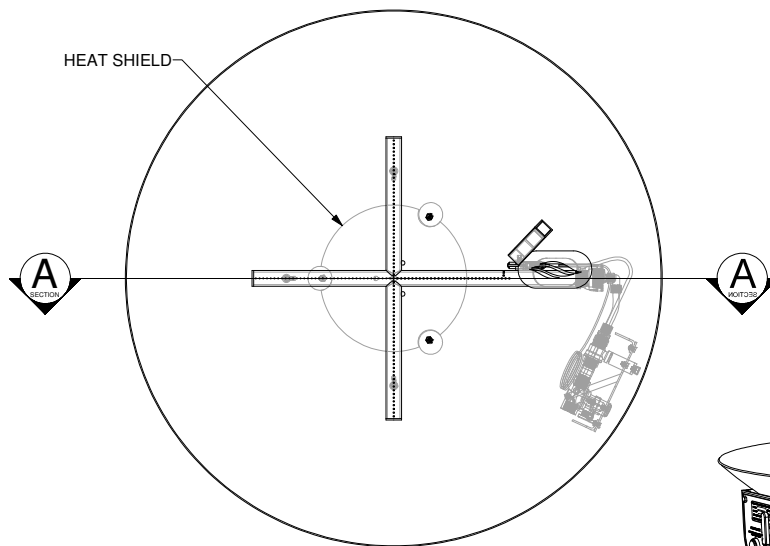
MANUAL PILOT FIREBOWL MOUNTING

MOUNTING OVER COMBUSTIBLE MATERIALS

A firebowl can be mounted over combustible materials when a heat shield is installed. The heat shield comes welded to the ball feet the firebowl sits on.

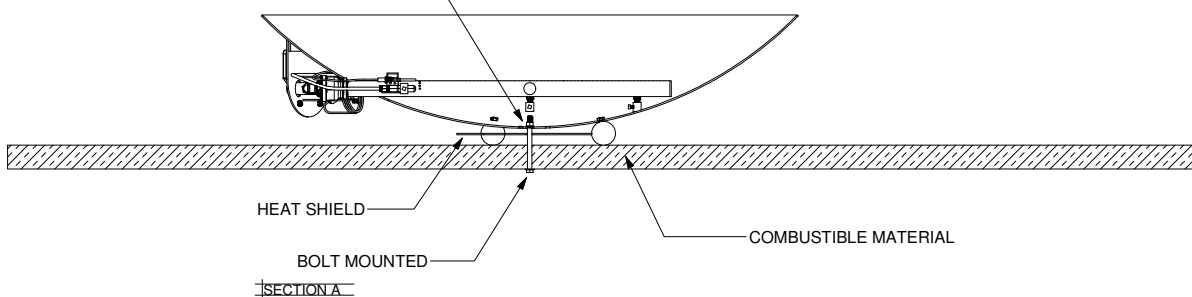


A FIREBOWL EQUIPPED WITH A LOWER HEAT SHIELD IS MOUNTED IN THE SAME MANNER AS A FIREBOWL WITHOUT.

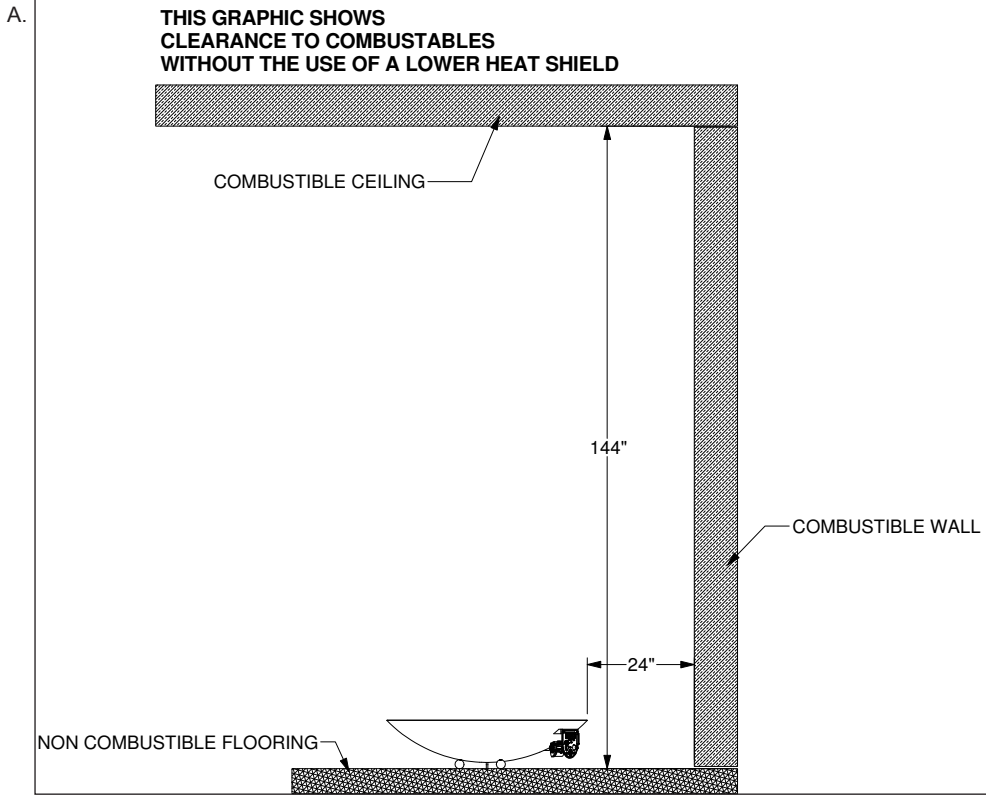


TOP VIEW WITH HIDDEN LINES

A WASHER AND NUT MUST BE USED. 3/8" DIA HARDWARE



SEE CLEARANCES NEXT PAGE



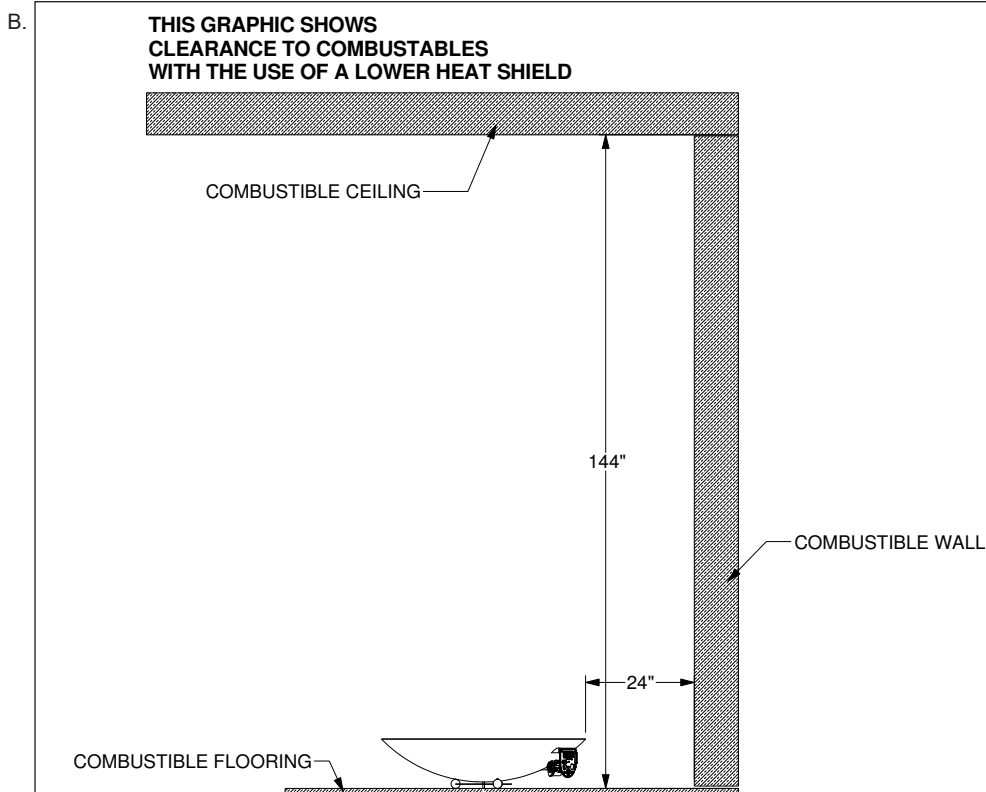
ATTACHING THE BOWL

A. Showing clearances to walls and ceilings.

-Bottom surface of the bowl will reach temperatures of 290°F

-Ceiling temperature at 12' distance 210°F

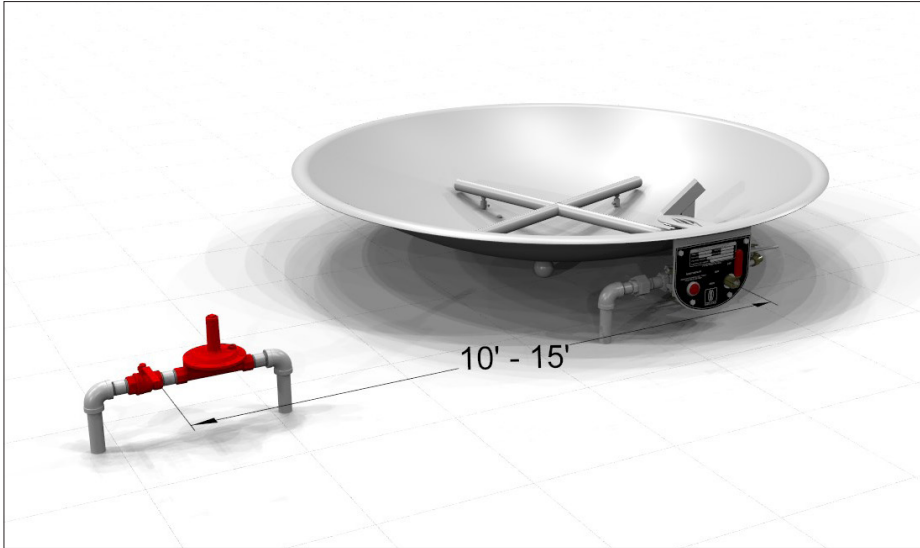
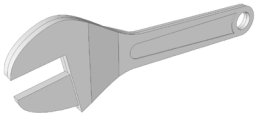
-Wall temperature 205°F



B. A firebowl can be installed over combustibile materials when a heat shield is installed. See page 23 for mounting a firebowl with a heat shield.

Test recorded temperatures with heat shield

- Floor temperature 150°F



GENERAL SPECIFICATIONS

The firebowl must be installed on site, pressure and leak checked by a certified gas technician as per national and local, building, gas, fire, and safety codes and ordinances.

The Firebowl comes supplied with a Maxitrol 525-5AL Individual low pressure appliance regulator. A 'plain view' emergency gas shut-off valve, is to be supplied and installed by a certified gas technician as per national and local, building, gas, fire, and safety codes and ordinances.

BURNER & BTU SPECIFICATIONS

The burner for this appliance is assembled and tested by:
Charles A. Hones Inc., N. Amityville, NY 11701, 631.842.8886.

The burner is a special, stainless steel, "Yellow Flame" burner, and is rated at a minimum of 150,000 and a maximum of 300,000 BTU's.

The burner is supplied with the appropriate 1/4" brass orifice for use with either natural gas (NG) or propane gas (LP), a modified 90M stainless steel air mixer, and stainless steel pipe connections.

CONNECTION DIAMETER

The Baso Safety Valve has a 3/4" connection to the gas source.

ORIFICE SIZES & OPERATING PRESSURES

45" Models:
Propane gas Maximum BTU = 150,000 w. #26 DMS orifice @ 11" W.C. Inlet - 10" W.C. Manifold

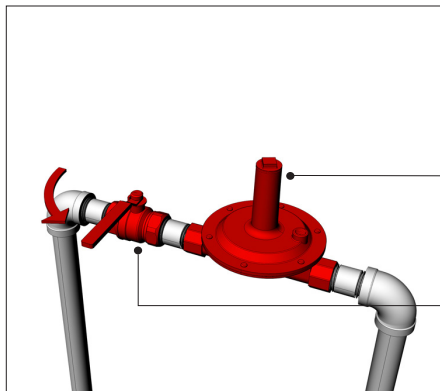
Natural gas Maximum BTU = 150,000 BTU w. #6 DMS orifice @ 7" W.C. Inlet - 6" W.C. Manifold

54" & 68" Models:
Propane gas Maximum BTU = 300,000 w. #4 DMS orifice @ 11" W.C. Inlet - 10" W.C. Manifold

Natural gas Maximum BTU = 300,000 BTU w. #K DMS orifice @ 7" W.C. Inlet - 6" W.C. Manifold

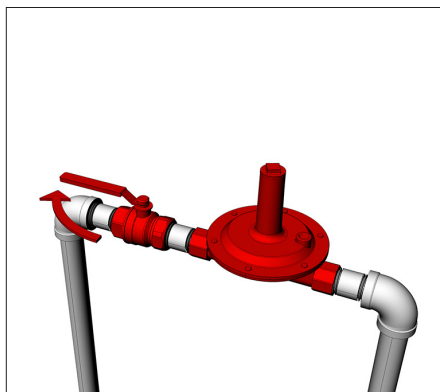
PLAIN SIGHT EMERGENCY SHUT-OFF VALVE WITH REGULATOR

LEGEND



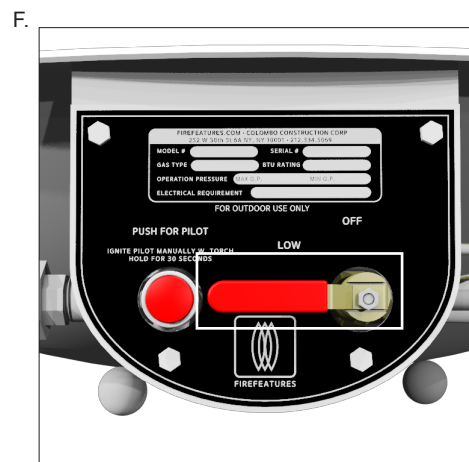
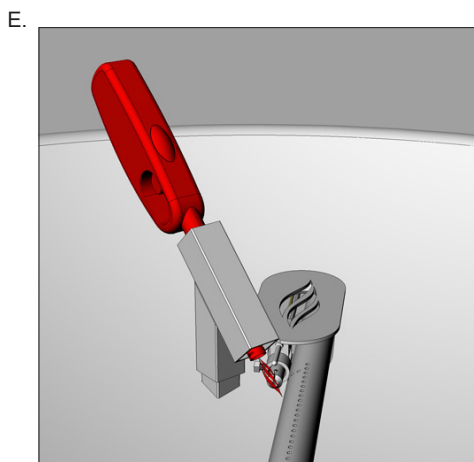
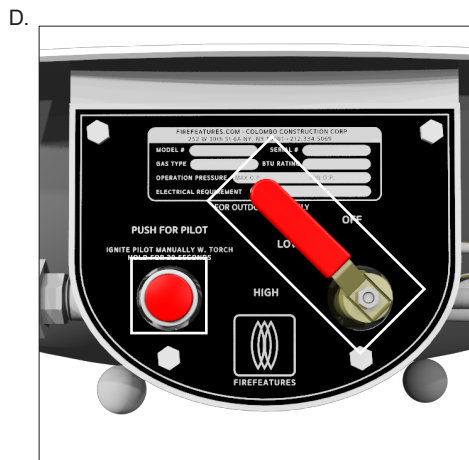
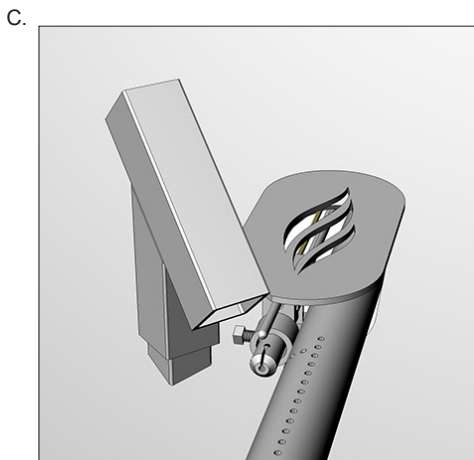
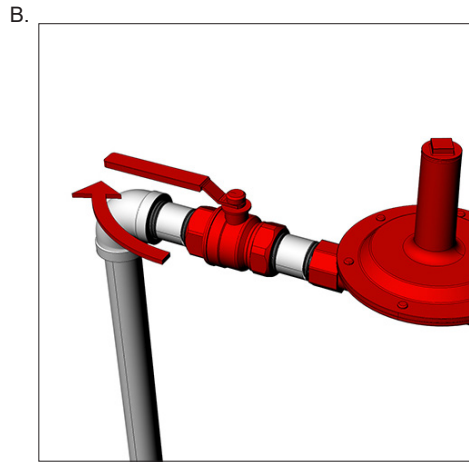
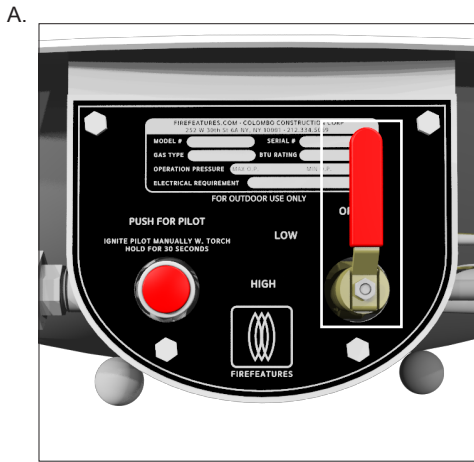
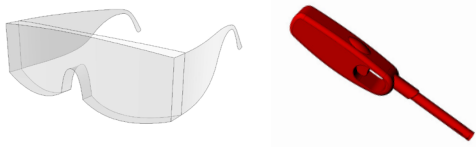
- 1 Maxitrol Regulator 325-5AL Gas Appliance Pressure Regulator. SUPPLY PRESSURE NOT TO EXCEED 2PSI.
- 2 T-1001 Legend Full Port 3/4" Ball Valve 'PLAIN VIEW' Shut Off Valve. This valve must be installed within 10' to 15' of the appliance or to local code.

Off Position



On Position

MANUAL PILOT FIREBOWL **IGNITION**



TO LIGHT PILOT

- Operate at arms length.
- Do not lean over the appliance.
- Use safety-goggles and a extended torch.

- Make sure gas valve control knob on appliance is in the OFF or CLOSED position.
- Turn 'plain view' emergency shut-off valve to ON or OPEN position.
- Locate pilot sighting tube inside firebowl.
- Turn gas valve control knob on appliance to LOW position.

Push red button for pilot and hold.

- Immediately put torch inside pilot sighting tube and ignite pilot.

Continue to hold down button for 30 seconds or until pilot stays lit.

Release button and remove torch from sighting tube. Make sure pilot stays lit.

- Turn gas valve control knob on appliance slowly to HIGH position.

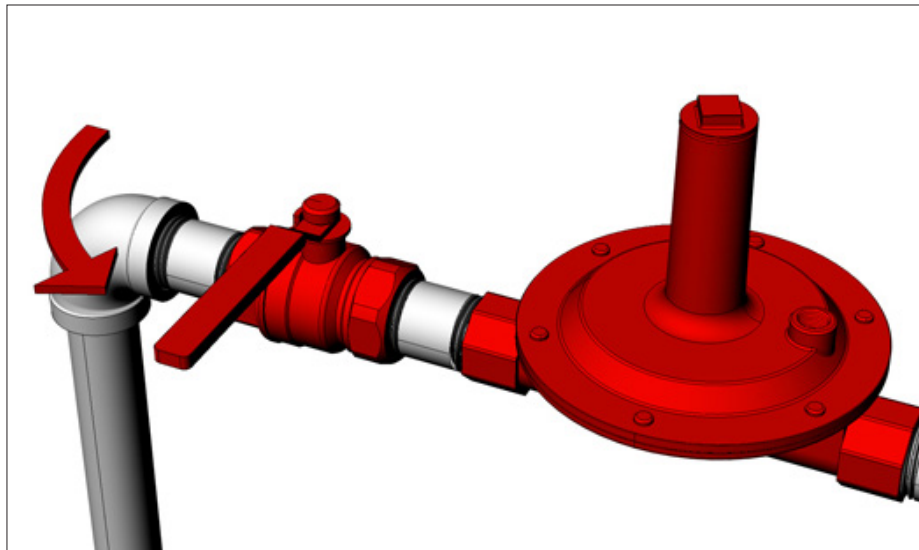
Adjust flame height to preference.

If burner does not light or you smell or hear gas, immediately turn gas valve control knob on appliance to OFF position. Wait 5 minutes and repeat steps B to F.

MANUAL PILOT FIREBOWL **IGNITION**



SUCCESSFUL IGNITION



Off Position

TO PUT BURNER OUT

TURN 'PLAIN VIEW' SHUT OFF VALVE TO OFF OR CLOSED POSITION

WAIT FOR GAS TO BURN OUT OF LINE

TURN GAS VALVE CONTROL KNOB ON APPLIANCE TO OFF POSITION.

ALWAYS SHUT DOWN IN THIS MANNER: GAS LINE FIRST, APPLIANCE SECOND.

TO RELIGHT BURNER, WAIT 5 MINUTES AFTER A COMPLETE SHUT-OFF.

LAVA ROCK ONLY

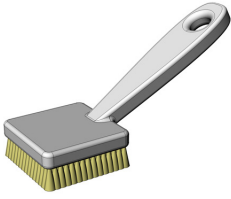
Lava rocks are the recommended rock for use in the firebowl. Lava rock is best suited because it was made by heat and therefore does not react when used in a high heat environment; it is also light weight and readily available.

Lava rocks come in all sizes, from pebbles to boulders. 2" to 6" is the best size to use with your firebowl. You will need approximately 100 to 200lbs for the firebowls.

If you are unable to find lava rock at your local garden supply store, Colombo Construction Corp can supply you with 200lbs of tumbled lava rock at an additional cost.

WARNING: Other rocks may contain water, and when heated will split, crack or burst and are therefore to be used at your own risk and not recommended.



**MAINTENANCE**

Properly maintained, your decorative gas appliance will provide years of useful service. A regular routine maintenance program such as the program outlined below should be established and followed. It is further recommended to follow the maintenance procedures on safety valves and other accessory equipment according to the manufacturers instructions. It is recommended to have at least one annual inspection performed by a certified gas technician.

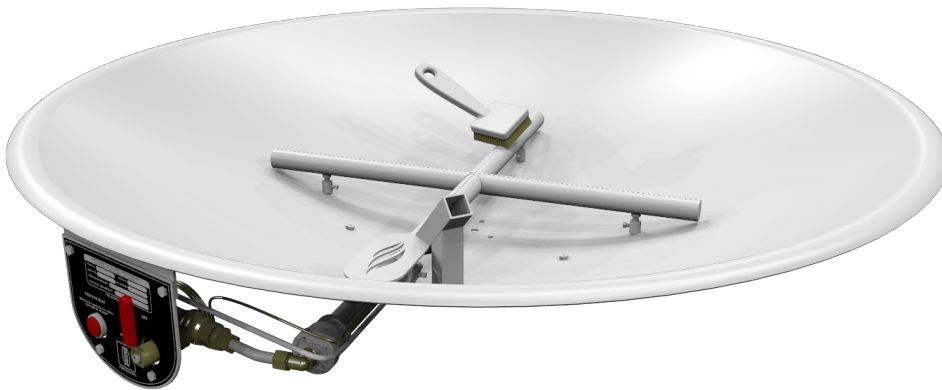
Routine Preventive Maintenance:

- A. Have the appliance serviced and leak checked annually by a qualified service technician.
- B. Keep the area inside and around the appliance and base free of debris, foreign matter, or obstruction. Regularly remove all broken rock chips, leaves, branches, grass, etc from fire feature.
- C. Clean any corrosion or scale off burner, control panel, and venturi with a wire brush. Make sure that venturi remains set in position. See page 18.
- D. Visually inspect the burner annually both while firing and while turned off. Replace any corroded parts.
- E. Visually inspect pilot while main burner is on and while main burner is off. Replace any corroded parts. Be certain that pilot position is correct and that pilot reliably and accurately ignites main burner.
- F. Use a tooth pick or thin wire to poke out any clog or obstruction from the small holes in the burner, **ONLY WHEN BURNER IS OFF.**
- G. Check to be certain that the area the gas equipment operates in is free of obstruction. Remember, that for proper combustion, proper operation, and proper ventilation, flow of air around your gas equipment must be unobstructed. Never store combustible materials or flammable liquids near any gas equipment.
- H. When burners are not in use for a long time, or are used only seasonally, care should be taken to wire brush scale off burners and inside venturi. An air compressor can be used to blow out cobwebs or nests which may clog orifices.

*If any unusual behavior of the gas equipment is noted during inspection, shut the burner off until qualified service assistance can be obtained.

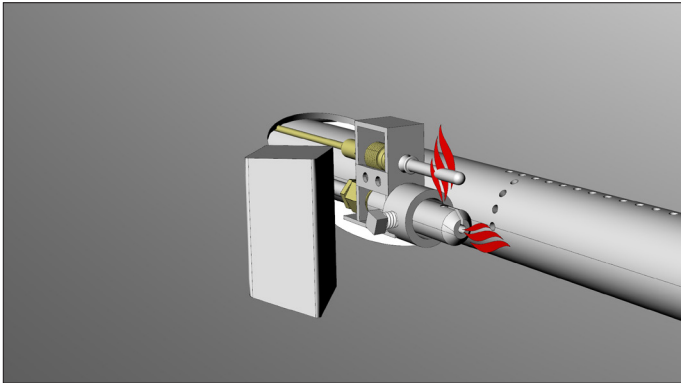
*For your safety, all repairs on the burner system should be performed by qualified service personnel only as it involves disconnecting gas supply and performing leak testing.

Installation and repair should be done by a qualified service person. The appliance should be inspected before use and at least annually by a qualified service person. More frequent cleaning may be required as necessary. It is imperative that the control compartment, burners, and circulating-air passageways of the appliance are kept clean.

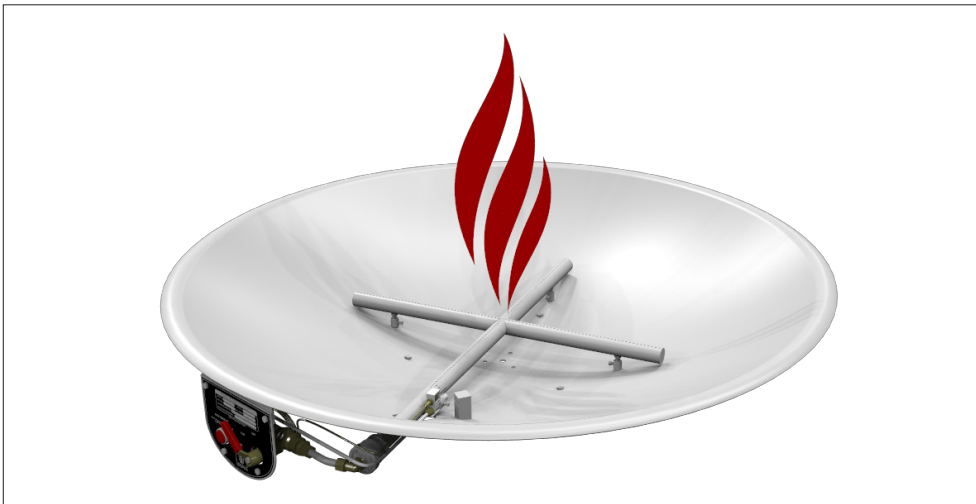




Remove Pilot Guard



Pilot Burner Flame



Main Burner Flame

VISUAL MAINTENANCE

In order to keep your fire feature functioning properly and efficiently, a visual check of its components is necessary. The vital components to prove are the pilot burner and main burner while they are lit.

Before looking at these components, remove all lava stones and any debris from the bowl.

Also remove the pilot guard and put aside.

Once you have removed all debris, light the appliance according to the "ignition" section in this manual. (see pg. 24-25)

While the main burner is on, turn the flame height valve to the OFF or CLOSED position. This will leave the pilot burner on and the main burner off.

Visually check that the pilot has a robust flame and is making contact with the thermocouple above it. (See illustration at left for a normal flame pattern.)

After visually inspecting the pilot flame and establishing it is in normal working condition, the next thing to check is the main burner.

To turn the main burner on for a visual check, while the appliance is in operation, turn the flame height valve to the LOW position. Carefully check that the burner has a even, steady flame coming out of all the drilled ports along the burner.

Now that the appliance has been visually checked, turn the appliance OFF, following the "to put burner out" section in this manual. (see pg.25)

If either the pilot burner or the main burner appears to burn unevenly or abnormally, please contact the manufacturer or a qualified service person for repair. If the burner is found faulty or evidence of corrosion and needs repair, the replacement burner must come from the original manufacturer. Do not operate the fire feature until the replacement burner has been installed by a qualified service person.

REPLACEMENT PARTS

All parts may be ordered by calling FIREFEATURES, a division of Colombo Construction Corp at 718-399-2233 or 212-334-5069 or by emailing info@firefeatures.com.

VALVE TRAIN ASSEMBLY:

1. Connecting Tube Assembly
2. T1001 Legend 3/4" Brass Ball Valve
3. Brass Extension Handle
4. Metal Valve Handle
5. Baso Safety Valve H15DA-3
6. Maxitrol Regulator 325-5AL

PILOT ASSEMBLY:

7. Baso Pilot Assembly - J990MDA-2
8. Baso Brass Pilot Orifice - Assembly Includes Natural Gas or Propane Gas Orifice
9. 1/4" O.D. Pilot Light Feed Tubing

10. Baso Thermocouple K16BA-48 #22

PILOT GUARD & SIGHTING ASSEMBLY:

11. Pilot Guard
12. Pilot Sighting Tube

MAIN BURNER ASSEMBLY:

13. Main Burner
14. 90M Stainless Steel Venturi Air Mixer
15. Nickel Plated Air Shutter
16. Brass Orifice Assembly

